



TX-BGRWPY10B140-001C

PRODUCT SPECIFICATION

Approved by:

Checked by:

Prepared by:

Part No.	TX-BGRWPY10B140-001C	Spec No.	WKF-BB9035	Page	1 of 10
-----------------	----------------------	-----------------	------------	-------------	---------



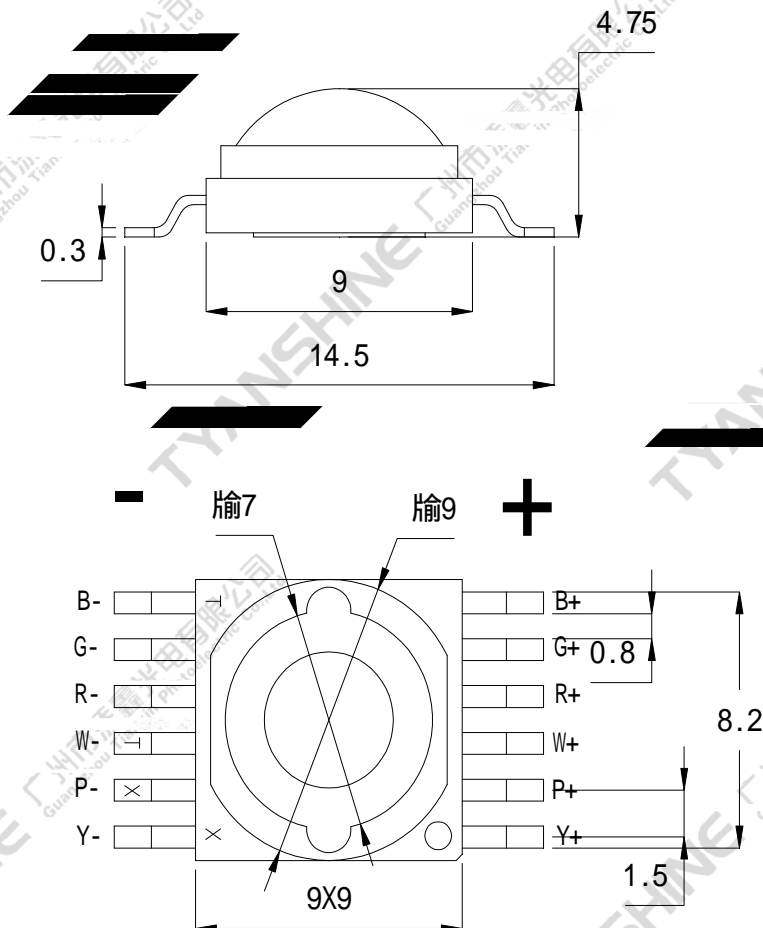
Features:

- ↵ Excellent Transiting Heat from LED Chip Operating under 400mA
- ↵ High Luminous Output
- ↵ No UV

Typical purpose:

- ↵ Portable Flashlight
- ↵ Garden lighting
- ↵ General Lighting

Package Dimensions:





Notes:

1. Thermoelectric integrated White chip packaged in this product.
2. All dimensions are in millimeters (inches).
3. Tolerance is ± 0.25 mm (0.01") unless otherwise noted.

Part NO.	Chip Material						Lens Color	Source Color
	Blue	Green	Red	White	Purple	Yellow		
TX-BGRWPY10B140-001C							Water Clear	Blue

Absolute Maximum Ratings at Ta=25 "



Notes:

1. Specifications are subject to change without notice.
2. The data on this specification is for reference only and the actual data is in accordance with the acknowledgment.
3. Precautions for ESD:
 STATIC SHIELD Electricity and surge damages the LED. It is recommended to use a wrist band or anti-electrostatic glove when handling the LED. All devices, equipment and machinery must be properly grounded.

Part No.	TX-BGRWPY10B140-001C	Spec No.	WKF-BB9035	Page	3 of 10
-----------------	----------------------	-----------------	------------	-------------	---------

TYANSHINE 广州市天彦光电有限公司
Guangzhou Tianyan Photoelectric Co., Ltd.

TYANSHINE 广州市天彦光电有限公司
Guangzhou Tianyan Photoelectric Co., Ltd.



Notes:

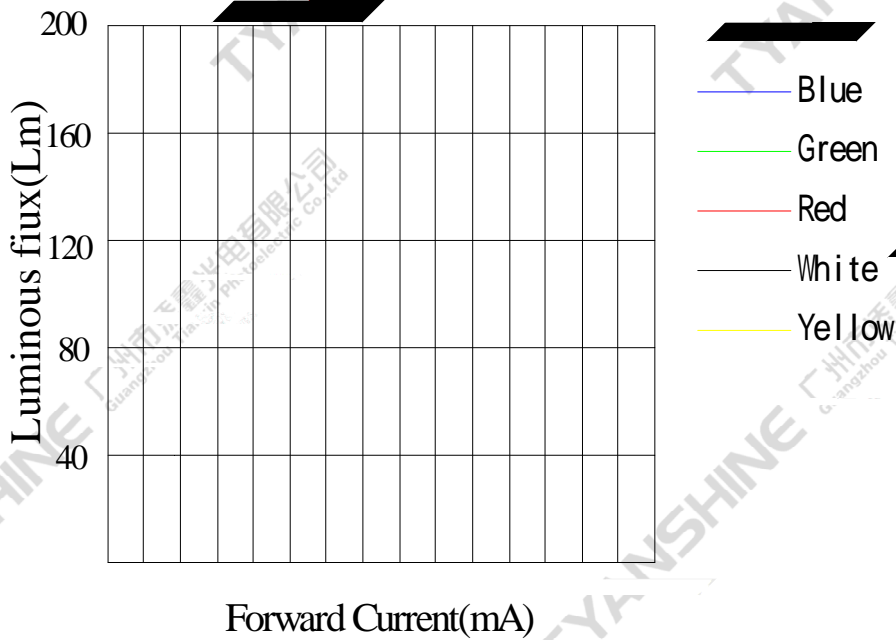
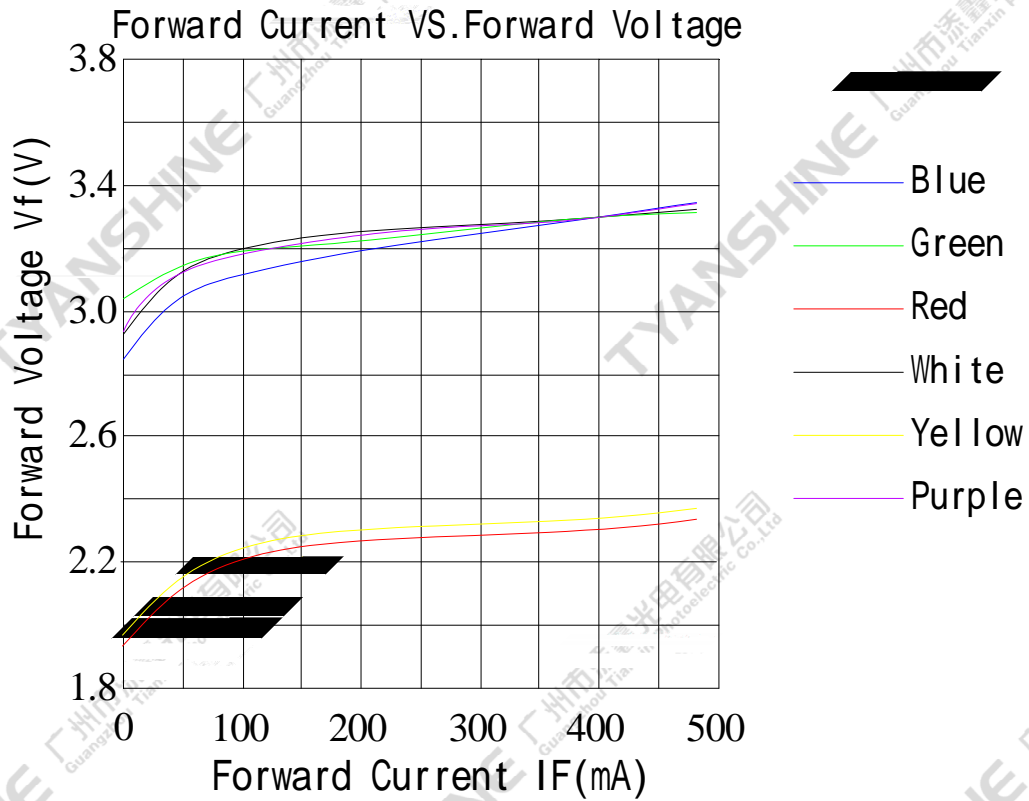
1. Luminous intensity is measured with a light sensor and filter combination that approximates the CIE eye-response curve.
2. $\theta_{1/2}$ is the off-axis angle at which the luminous intensity is half the axial luminous intensity
3. The dominant wavelength (λ_d) is derived from the CIE chromaticity diagram and represents the single wavelength which defines the color of the device.
4. Flux is measured with an accuracy of $\pm 15\%$.
5. Forward voltage is measured with an accuracy of $\pm 0.15V$.

Part No.	TX-BGRWPY10B140-001C	Spec No.	WKF-BB9035	Page	5 of 10
-----------------	----------------------	-----------------	------------	-------------	---------



Typical Electrical / Optical Characteristics Curves

(25 °C Ambient Temperature Unless Otherwise Noted)

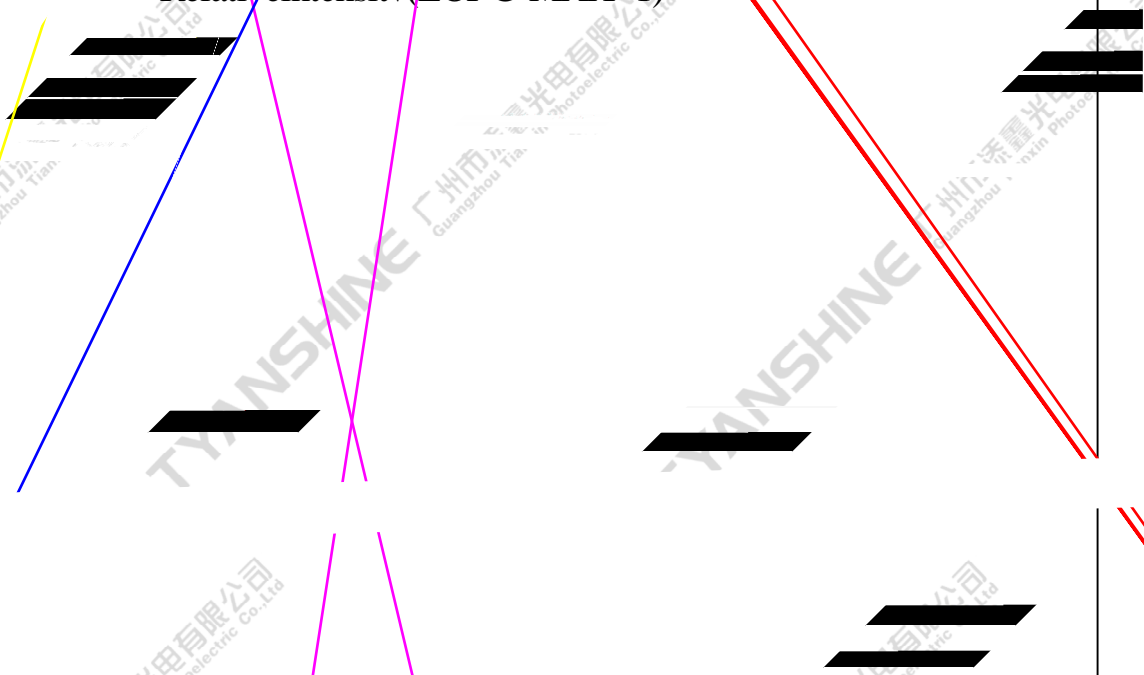
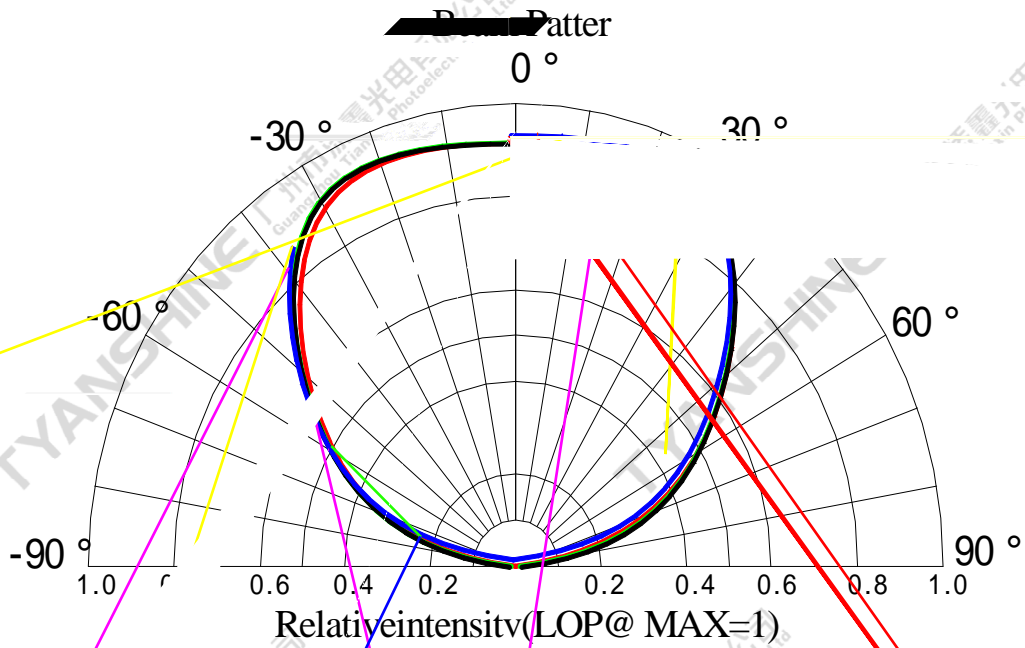


TYANSHINE 广州市天彦光电有限公司
Guangzhou Tianyan Photoelectric Co., Ltd.

TYANSHINE 广州市天彦光电有限公司
Guangzhou Tianyan Photoelectric Co., Ltd.

TYANSHINE 广州市天彦光电有限公司
Guangzhou Tianyan Photoelectric Co., Ltd.

TYANSHINE 广州市天彦光电有限公司
Guangzhou Tianyan Photoelectric Co., Ltd.



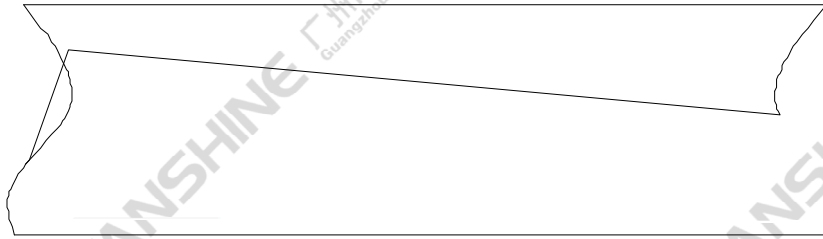
TYANSHINE 广州市天砚光电有限公司
Guangzhou Tianyan Photoelectric Co., Ltd.

广州市天砚光电有限公司
Guangzhou Tianyan Photoelectric Co., Ltd.



Dimensions for Cannulation and Packaging

Quantity: 40PCS



Part No.	TX-BGRWPY10B140-001C	Spec No.	WKF-BB9035	Page	10 of 10
-----------------	----------------------	-----------------	------------	-------------	----------