

TX-BGRWPY10B140-001D

PRODUCT SPECIFICATION

Approved by:

Checked by:

Prepared by:

Part No.	TX-BGRWPY10B140-001D	Spec No.	WKF-BB9052	Page	1 of 10
----------	----------------------	----------	------------	------	---------

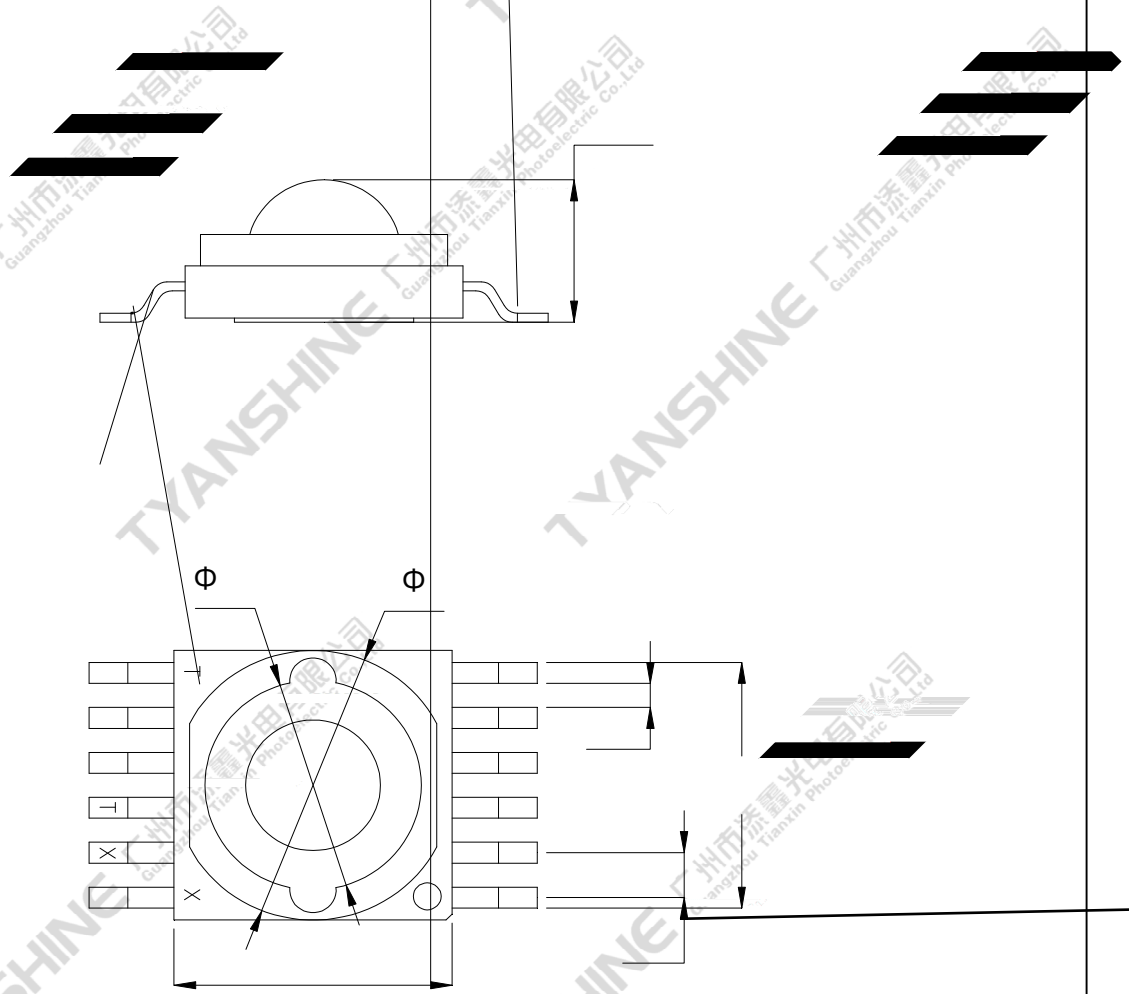
Features:

- Excellent Transiting Heat from LED Chip Operating under 400mA
- High Luminous Output
- No UV

Typical purpose:

- Portable Flashlight
- Garden lighting
- General Lighting

Package Dimensions:



Part No.	TX-BGRWPY10B140-001D	Spec No.	WKF-BB9052	Page	2 of 10
----------	----------------------	----------	------------	------	---------

Notes:

1. Thermoelectric integrated White chip packaged in this product.
2. All dimensions are in millimeters (inches).
3. Tolerance is ± 0.25 mm (0.01") unless otherwise noted.

Part NO.	Chip Material						Lens Color	Source Color
	Blue	Green	Red	White	Purple	Yellow		
TX-BGRWPY10B140-001D	GaN	GaN	AlGaN	GaN	GaN	AlGaN	Water Clear	Blue & Green & Red & White & Purple & Yellow

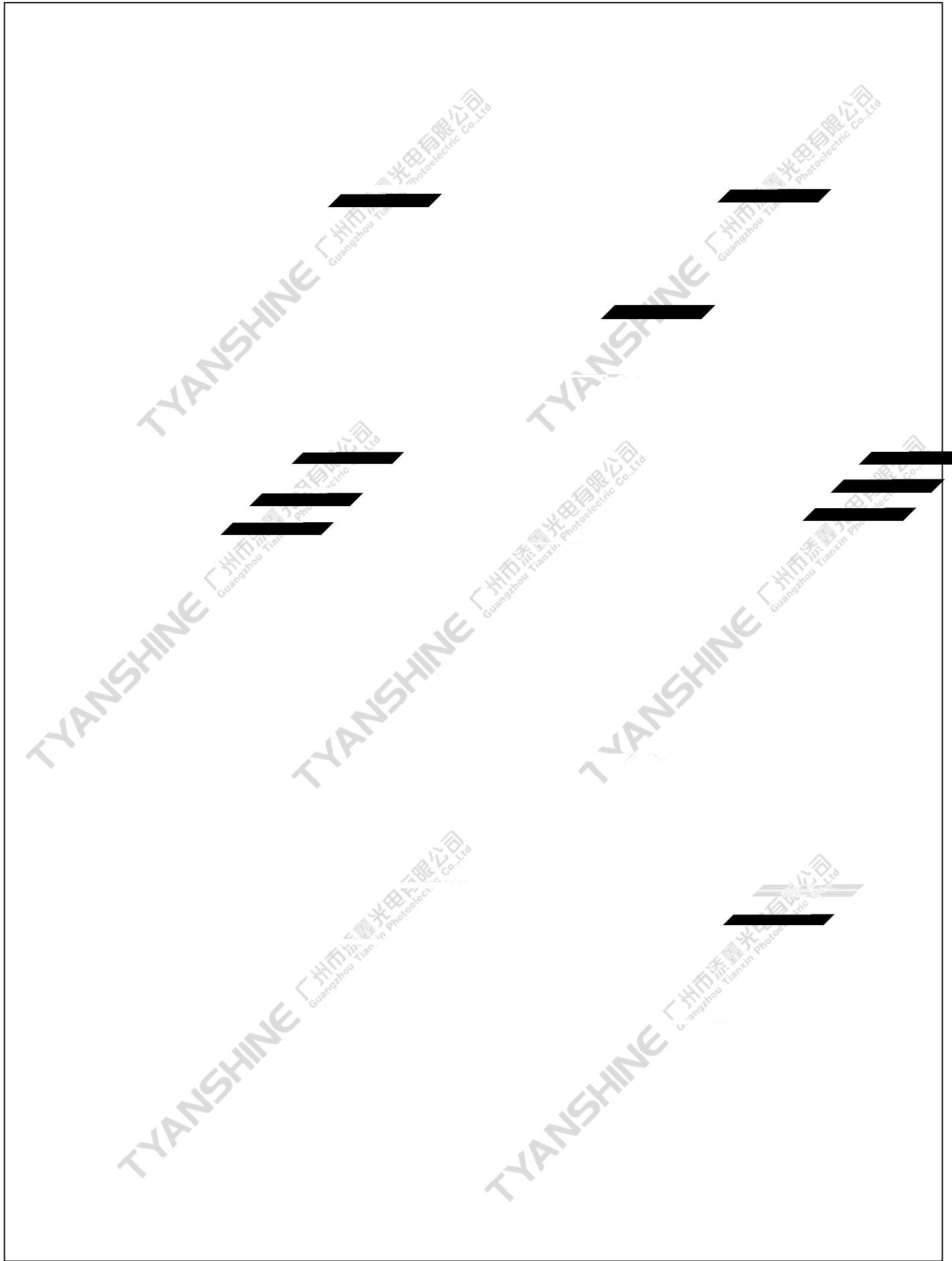
Absolute Maximum Ratings at Ta=25

Parameter	Symbol	MAX.	Unit
LED Junction Temperature	T _j	150	
Power Dissipation	B	1440	mW
	G	1440	
	R	1040	
	W	1400	
	P	1440	
	Y	1040	
Peak Forward Current (1/10 Duty Cycle, 0.1ms Pulse Width)	I _{FP}	1000	mA
Continuous Forward Current	I _F	400	mA
Reverse Voltage	V _R	5	V
Electrostatic Discharge Threshold (ESD)	ESD	2000	V
Operating Temperature Range	T _{opr}	-40 to +70	
Storage Temperature Range	T _{spr}	-40 to +100	

Notes:

1. Specifications are subject to change without notice.
2. Under the stipulated Characteristics parameters above, the life span of the LED is more than 50,000hours.
3. The data on this specification is for reference only and the actual data is in accordance with the acknowledgment.
4. Precautions for ESD:
 STATIC SHIELD Electricity and surge damages the LED. It is recommended to use a wrist band or anti-electrostatic glove when handling the LED. All devices, equipment and machinery must be properly grounded.

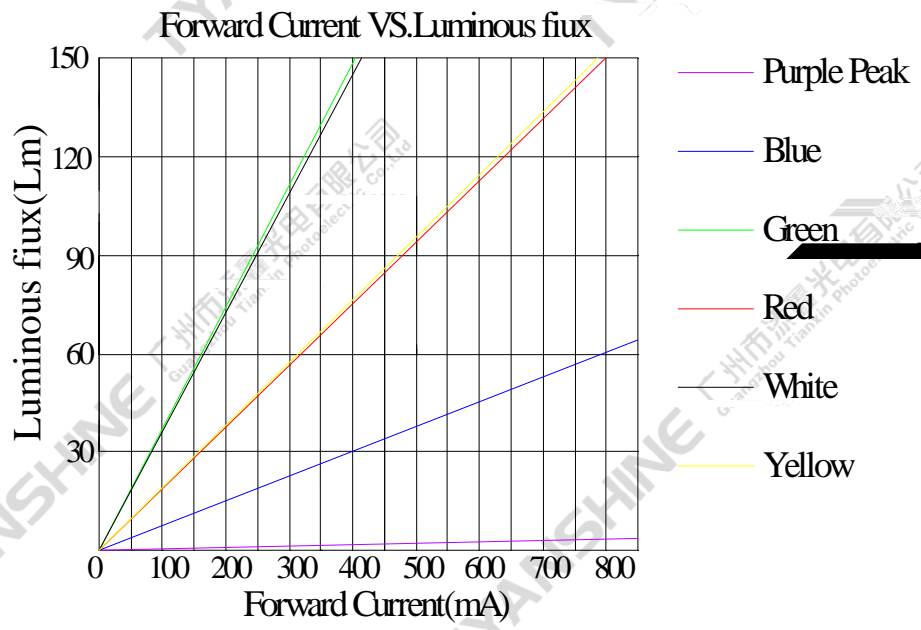
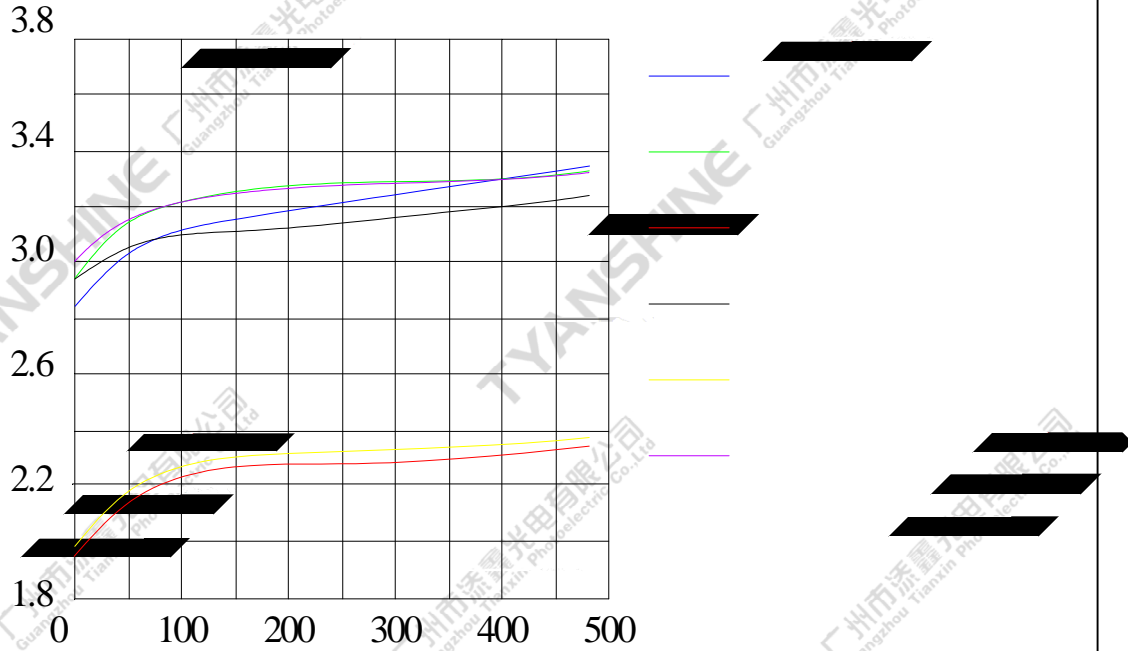
Part No.	TX-BGRWPY10B140-001D	Spec No.	WKF-BB9052	Page	3 of 10
----------	----------------------	----------	------------	------	---------

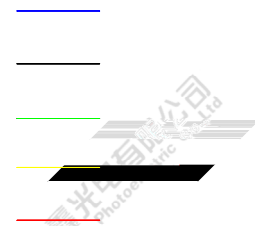
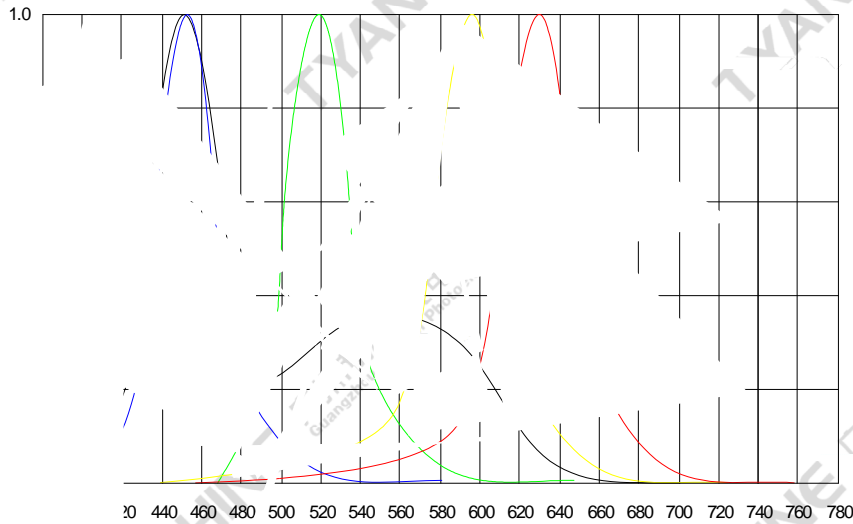
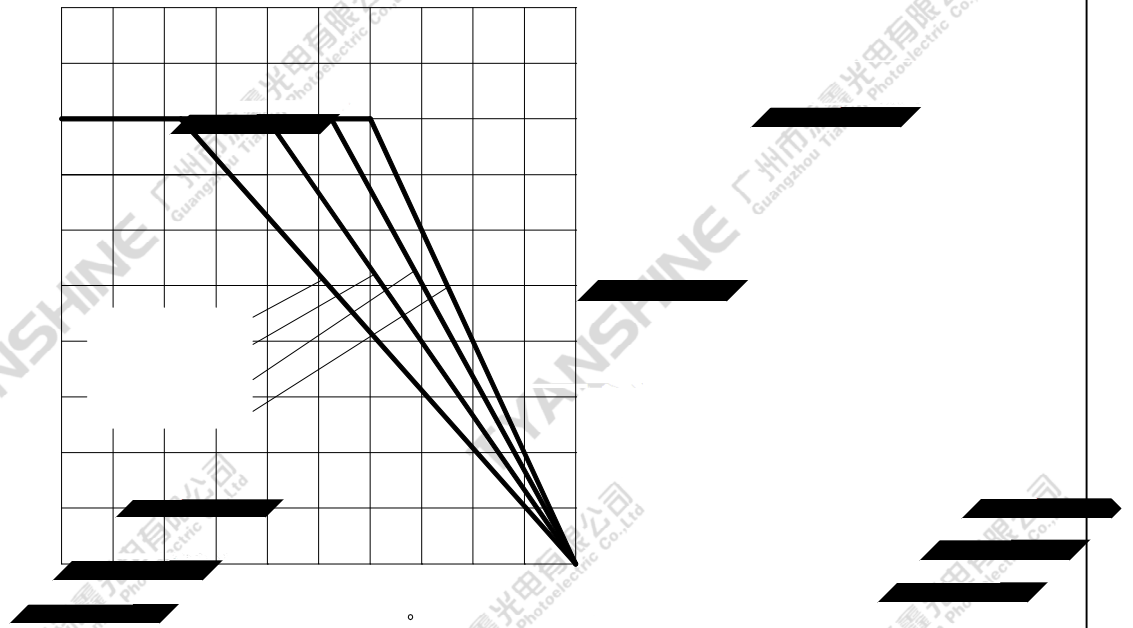


ID	Spec No.	WKF-BB9052	Page	5 of 10
----	----------	------------	------	---------

Typical Electrical / Optical Characteristics Curves

(25 Ambient Temperature Unless Otherwise Noted)





Beam Patter

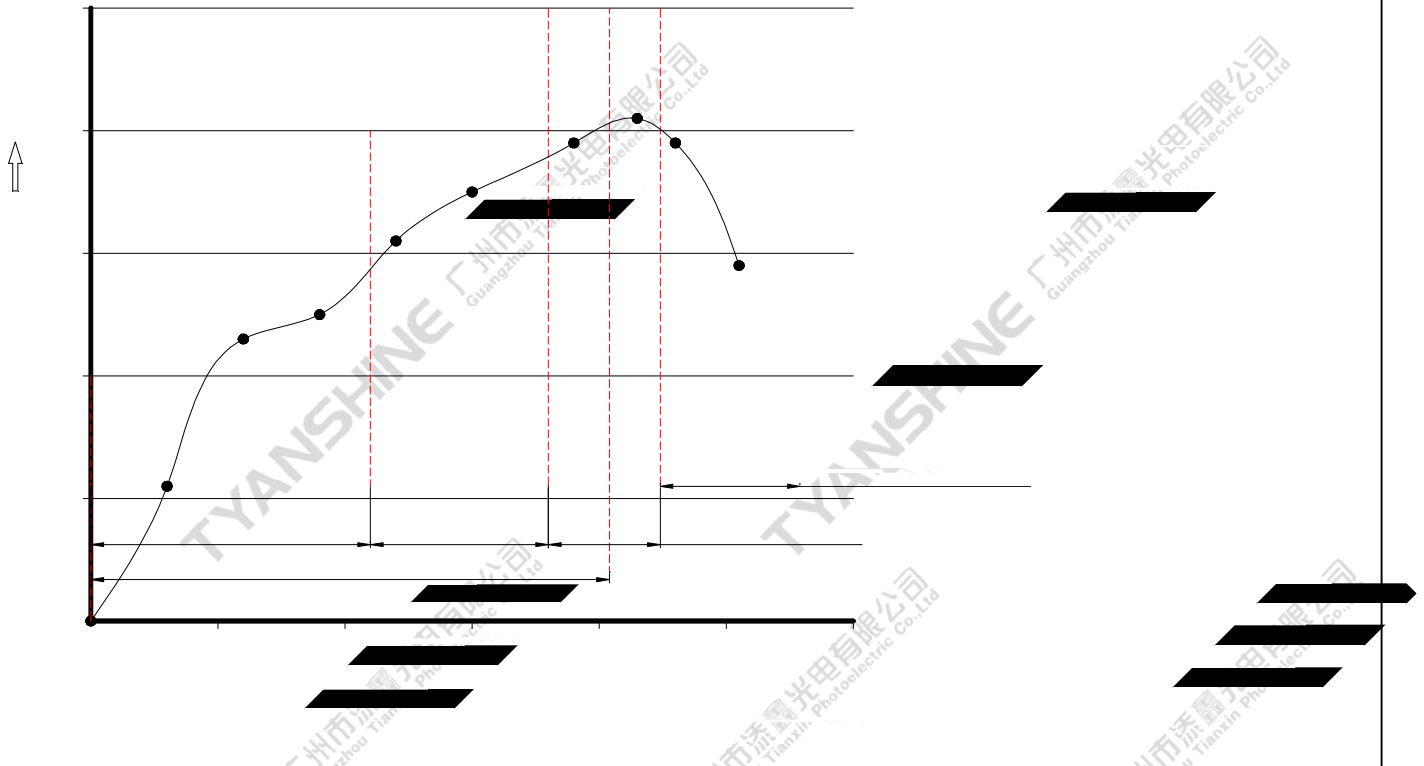
-30°

0°

90°

(MAX=1)

Part No.	TX-BGRWPY10B140-001D	Spec No.	WKF-BB9052	Page	8 of 10
----------	----------------------	----------	------------	------	---------

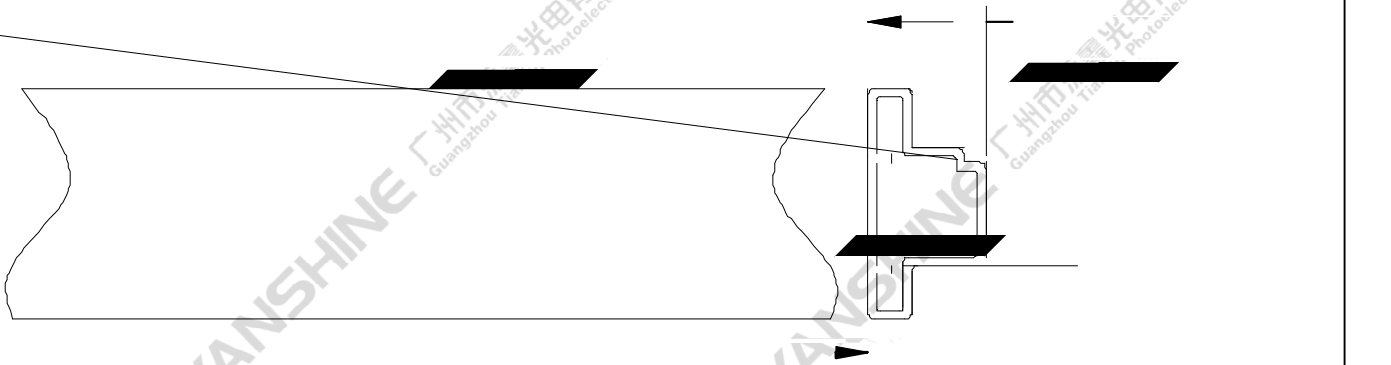


Profile Feature	Lead-Based Solder
Preheat: Temperature Min (T_{smin})	25
Preheat: Temperature Max (T_{smax})	170
Preheat: Time (T_{smin} to T_{smax})	60-120 seconds
Heating rate	1-3 /sec
Time Maintained Above: Temperature (T_L)	170-215
Time Maintained Above: Time (T_L)	60-110 seconds
Reflux temperature	215-235
Reflux time	30-70 seconds
Cooling rate	3-5 /sec

Note: All temperatures refer to topside of the package, measured on the package body surface.

Dimensions for Cannulation and Packaging

Quantity: 40PCS



Part No.	TX-BGRWPY10B140-001D	Spec No.	WKF-BB9052	Page	10 of 10
----------	----------------------	----------	------------	------	----------