

TX-R3A140-010G

PRODUCT SPECIFICATION

Approved by: _____

Checked by: _____

Prepared by: _____

Part No.	TX-R3A140-010G	Spec No.	WKF-BA3071	Page	1 of 8
-----------------	----------------	-----------------	------------	-------------	--------

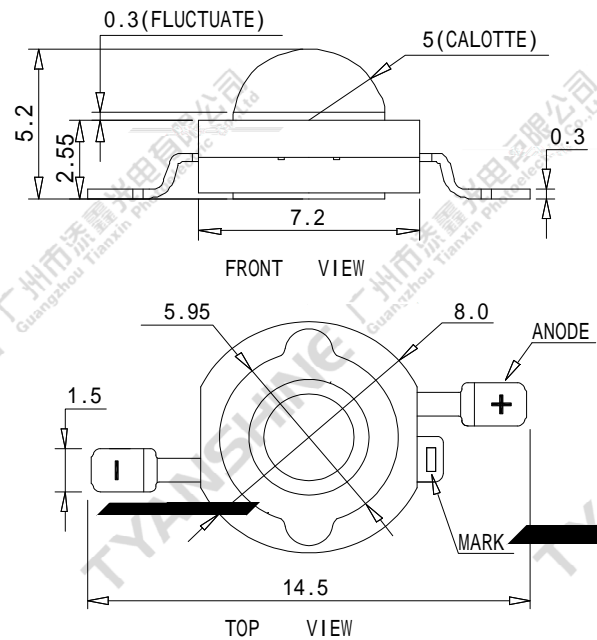
Features:

- ✧ Excellent Transiting Heat from LED Chip Operating under 700mA
- ✧ High Luminous Output
- ✧ No UV

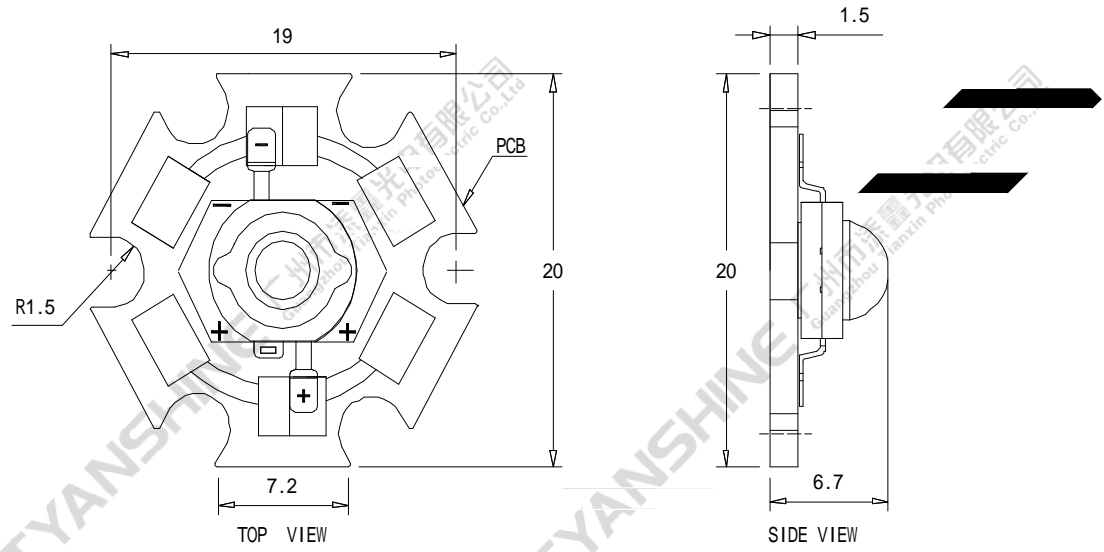
Typical purpose:

- ✧ Portable Flashlight
- ✧ Garden lighting
- ✧ General Lighting

Package Dimensions:



Installs on the aluminum sheet:



Part No.	TX-R3A140-010G	Spec No.	WKF-BA3071	Page	2 of 8
-----------------	----------------	-----------------	------------	-------------	--------

Notes:

1. All dimensions are in millimeters (inches).
2. Tolerance is ± 0.25 mm (0.01") unless otherwise noted.

Part NO.	Lens Color	Emitting Color
TX-R3A140-010G	Water Clear	Red

Absolute Maximum Ratings at Ta=25 "

Parameter	Symbol	MAX.	Unit
LED Junction Temperature	T _j	150	"
Power Dissipation	P _D	2170	mW
Peak Forward Current (1/10 Duty Cycle, 0.1ms Pulse Width)	I _{FP}	1000	mA
Continuous Forward Current	I _F	700	mA
Reverse Voltage	V _R	5	V
Electrostatic Discharge Threshold (ESD)	ESD	2000	V
Operating Temperature Range	T _{opr}	-30 to +70	"
Storage Temperature Range	T _{spr}	-40 to +100	

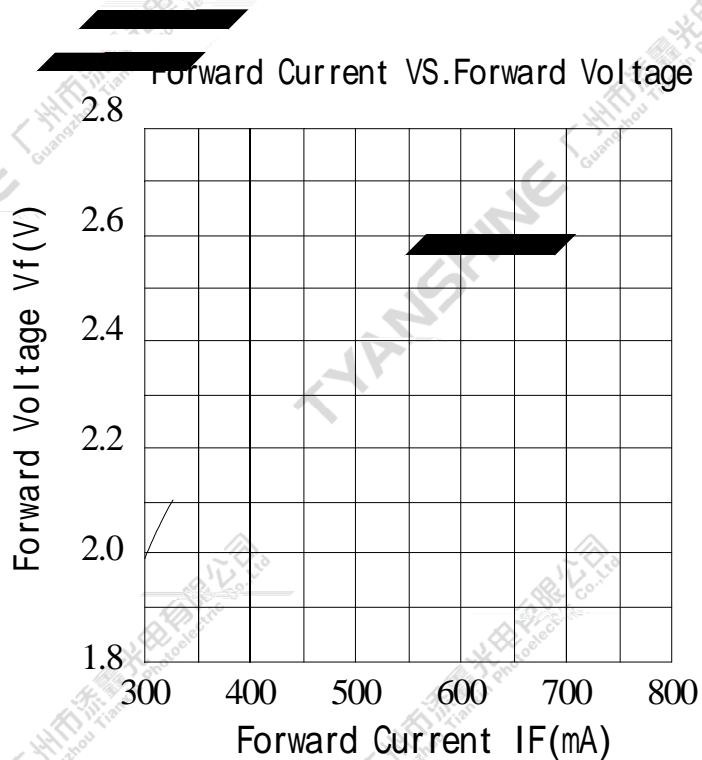
Notes:

1. Specifications are subject to change without notice.
2. The data on this specification is for reference only and the actual data is in accordance with the acknowledgment.
3. Precautions for ESD:

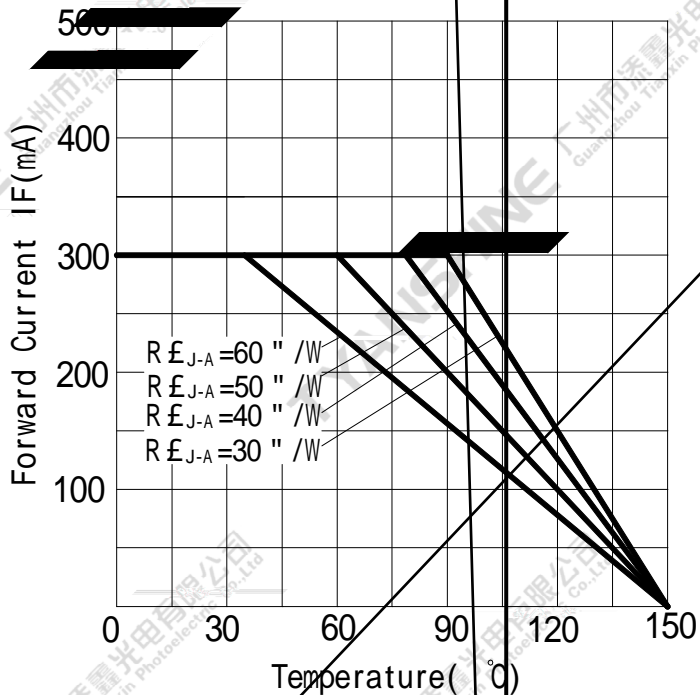
STATIC SHIELD Electricity and surge damages the LED. It is recommended to use a wrist band or anti-electrostatic glove when handling the LED. All devices, equipment and machine must be properly grounded.

Typical Electrical / Optical Characteristics Curves

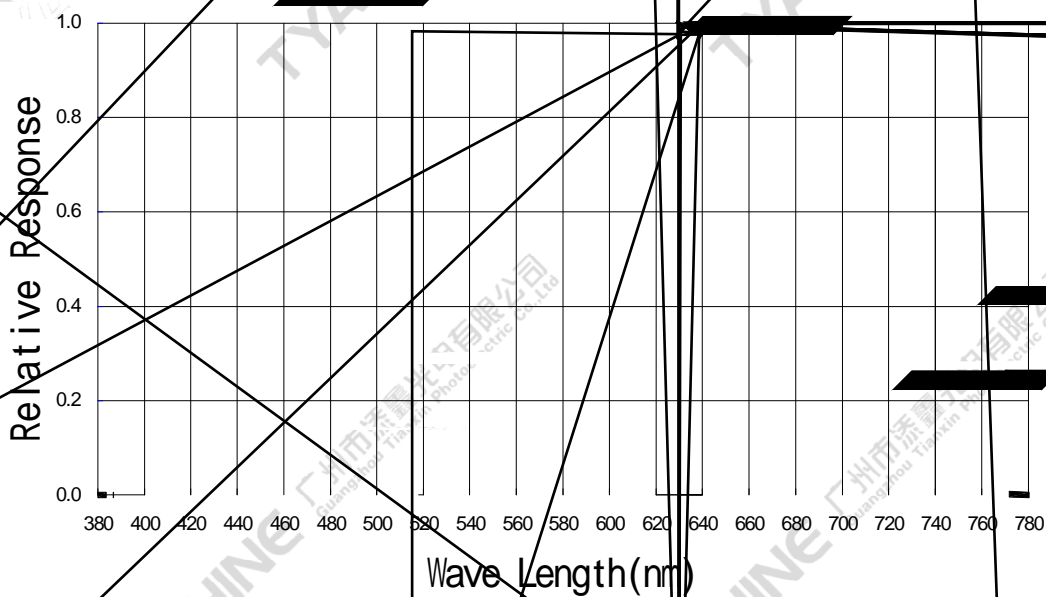
(25 " Ambient Temperature Unless Otherwise Noted)

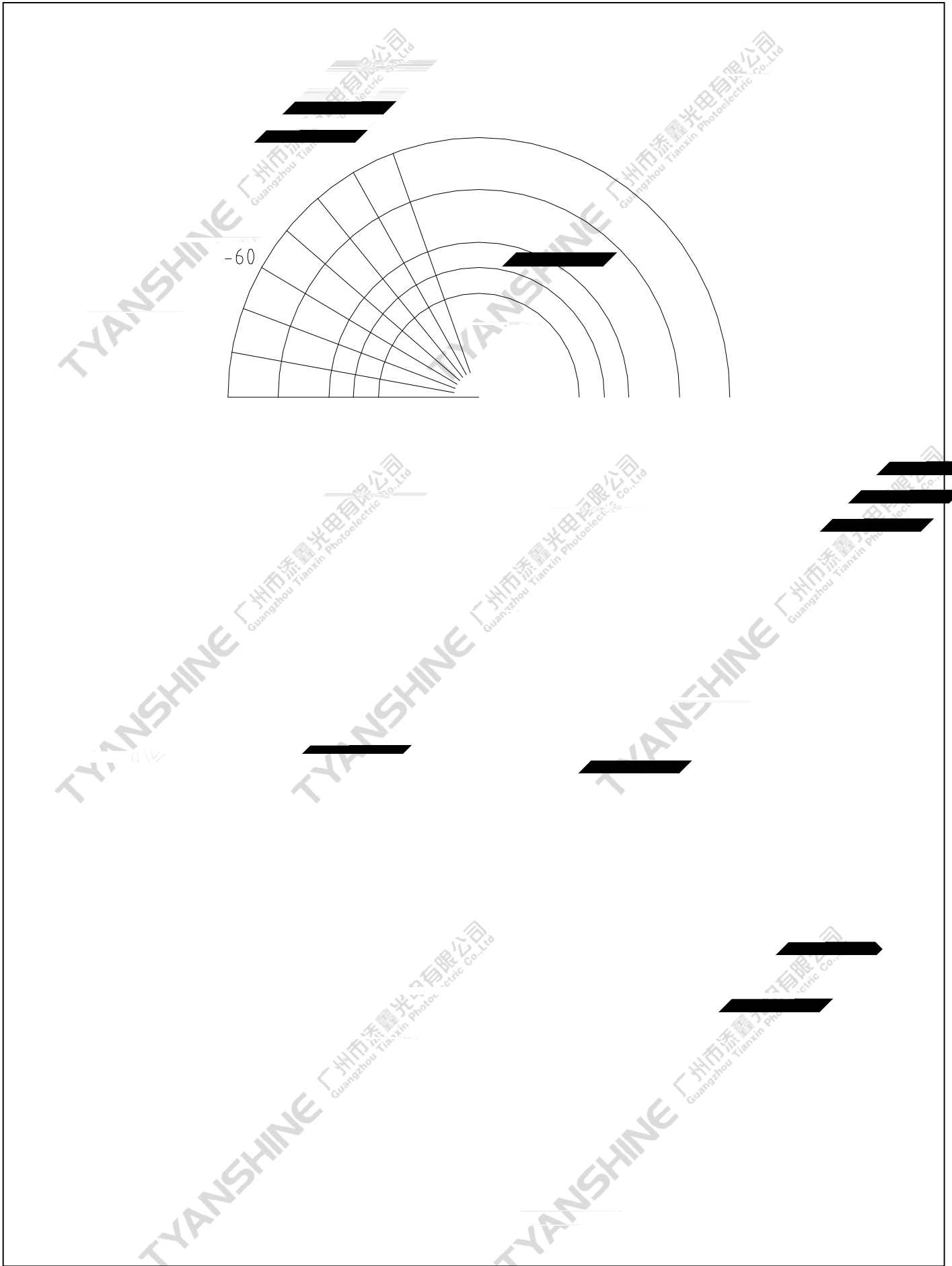


Ambient Temperature VS. Forward Current

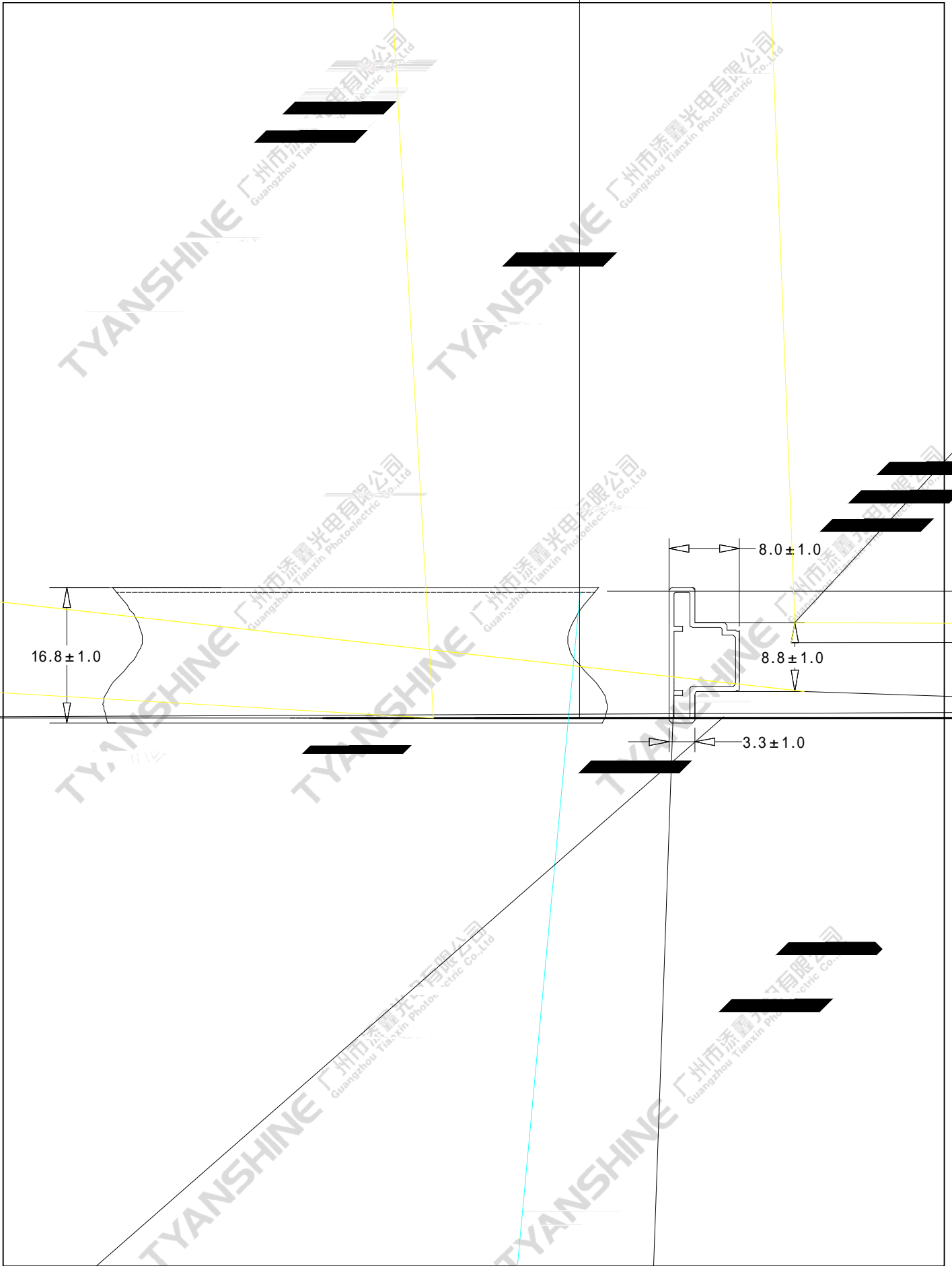


Spectral Radiance (Peak 635nm)





Part No.	TX-R3A140-010G	Spec No.	WKF-BA3071	Page	7 of 8
----------	----------------	----------	------------	------	--------



Part No.	TX-R3A140-010G	Spec No.	WKF-BA3071	Page	8 of 8
----------	----------------	----------	------------	------	--------